



ralco[®]
e u r o p a

SCREWS



EXPLODED DRAWING PARTS LIST 2012

QUALITY AND SERVICE AT THE BEST PRICE



FREEDOM consists in the ability to choose, without constraints, the solution that best suits our objectives and needs.

As an **INDEPENDENT SUPPLIER OF COMPRESSOR PARTS**, **RALCO** offers all fitters the possibility of choosing an alternative to original manufacturer parts, without compromising the highest standards of **QUALITY**, at the best **PRICE** and with a professional and personalised **SERVICE**.

Because **YOUR COMPRESSOR DOES NOT UNDERSTAND BRANDS**.

SAB 110 + 128 + 163 + 202 Mk 1 + 2 + 3 + 4 Made in U.E. 4-7

MYCOM 125 + 160 + 200 + 250 + 320 UD + G + V..... 8-11



AFTERMARKET spare parts

The parts that are shown here and/or that are distributed by RALCO EUROPA, S.L. are not original manufacturer parts. The manufacturers' names, model and part numbers, symbols, descriptions, codes and drawings are used only for the purposes of identification or reference. RALCO EUROPA, S.L. is not related to, or sponsored by, any of the original manufacturers of these articles.



SPARE PARTS MANUAL

Compressor housing

- 10 Compressor housing
- 11 Threaded plug
- 12 Threaded plug with collar
- 13 Gasket

Bearing cover at suction end

- 21 O-ring
- 22 Cylindrical pin
- 23 Socket cap screw
- 24 Threaded plug with collar
- 25 Dowty-ring
- 26 O-ring

Bearing cover at discharge end

- 40 Bearing cover
- 43 Cylinder screw
- 45 Stop screw
- 46 Plug with collar
- 47 Dowty-ring

Capacity regulating cylinder

- 50 Capacity regulating cylinder
- 51 O-ring

Cover for capacity regulating cylinder

- 61 O-ring
- 62 Cylinder screw

Housing capacity indicator

- 70 Housing capacity indicator
- 71 Cylinder screw
- 73 Cylinder screw
- 74 O-ring

Shaft seal cover

- 81 O-ring
- 82 Cylinder screw
- 83 Driving pin
- 86 Hose connecting branch
- 87 Clear plastic hose
- 88 Plug with rim
- 89 Dowty ring

Cap cover shaft seal

- 91 O-ring
- 92 Cylinder screw
- 93 Dowty-ring
- 94 Plug with collar
- 96 O-ring

Cover for slide stop

- 101 O-ring cover slide stop
- 102 Cylinder screw slide stop
- 104 Cylinder screw slide stop
- 105 Locking plate slide stop

Rotor and suction end bearings

- 111 Roller bearings
- 112 Retainer pin for male rotor
- 113 Spirolox-ring
- 114 Washer for bearings
- 115 Socket cap screw
- 118 Driving pin
- 119 Retainer for female rotor
- 120 Balance piston, suction end

Discharge end bearings, female rotor

- 130 Balance piston
- 131 Radial roller bearings
- 132 Four point bearings
- 133 Shim for adjustment of distance between rotor and discharge ports.

Discharge ends, male rotor

- 135 Balance piston
- 136 Radial roller bearings
- 137 Four point bearings
- 138 Shim for adjustment of distance between rotor and discharge ports.

Discharge end ports

- 140 Discharge port (male rotor)
- 141 Discharge port (female rotor)
- 142 Cylinder screw
- 143 Steel sealing ring
- 146 Plug with collar
- 147 Locking screw
- 148 Adjusting screw
- 149 Dowty-ring

Rotor adjustment parts

- 152 O-ring
- 154 O-ring

Shaft seal

- 160 Shaft seal below type 680

Inner shaft seal

- 165B Balance piston
- 165C Slide ring with sleeve
- 165D Radial seal
- 165E Inner ring
- 165F O-ring Inner shaft seal
- 165G O-ring Inner shaft seal
- 165I Counter sunk screw
- 165J O-ring Inner shaft seal
- 165L Spirolox-ring

Suction filter

- 170 Suction filter
- 171 Locking screw
- 172 Cylinder screw
- 173 Gasket
- 174 Filter bag
- 175 Circlip filter bag

Adjusting system for Vi-slide

- 182 Sealing washer for slide stop
- 183 Sealing ring for Vi-slide
- 184 O-ring for Vi-slide
- 186 Axial ball bearing for Vi-slide

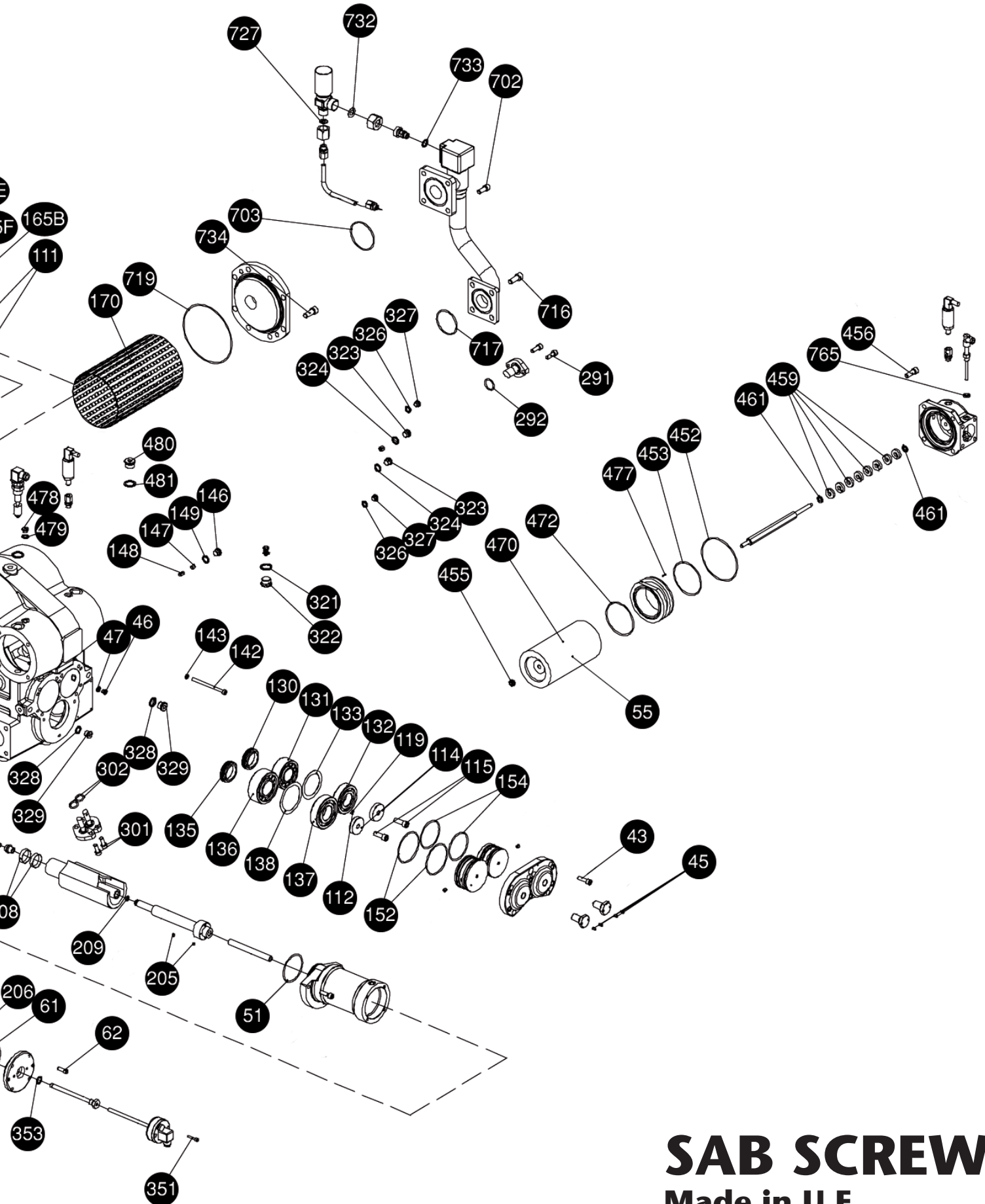
Manual Vi-slide

- 191 Spring
- 193 Cylinder screw

Capacity regulating slide

- 200 Capacity slide
- 203 O-ring
- 204 Sealing ring
- 205 Pointed screw
- 206 Cylinder screw
- 208 Tape bearing
- 209 O-ring

EXPLODED DRAWING



SAB SCREW
Made in U.E.

Spindle for capacity regulation

210	Spindle for capacity regulation
211	Radial ball bearing
212	Sealing ring spindle
213	Circlip shaft spindle
214	Circlip bore spindle
215	Spacer ring
217	O-ring spindle capacity regulation
218	Hexagon head screw spindle
219	Hexagon head screw spindle
223	Cylinder screw
224	Supporting ring capacity indicator
226	Locking washer capacity indicator
227	Locking washer capacity indicator

Parts for suction gas inlet

251	Hexagon head screw
252	O-ring
253	Inlet flange
254	Cylinder screw
257	Plug suction gas inlet
258	Dowty ring seal suction gas inlet
259	O-ring suction gas inlet

Economizer

291	Cylinder screw
292	O-ring
293	Cylinder screw

HLI Inlet

301	Cylinder screw
302	O-ring

Parts for internal oil channel

321	Dowty-ring
322	Plug with collar
323	Plug with collar
324	Dowty-ring
326	Dowty-ring
327	Plug with collar
328	Dowty-ring
329	Plug with collar
331	Plug internal oil piping
332	Gasket ring internal oil piping
333	Plug internal oil piping
334	Dowty ring internal oil piping
335	Plug internal oil piping
336	Dowty ring internal oil piping
337	Plug internal oil piping
338	Dowty ring internal oil piping

Transmitter for positioning of capacity slide

351	Cylinder screw
353	Dowty-ring

Aut. Vi Slide

371	Sealing ring grafit auto Vi Slide
373	Cylindrical pin auto Vi Slide
374	Cylinder screw auto Vi Slide
381	O-ring cover slide stop
382	Cylindrical screw cover slide stop
383	Cylindrical cover slide stop
396	Cylindrical screw Spindle Vi indicator

Bearing for Aut. Vi

401	Cylinder screw bearing Aut. Vi
403	Socket cap screw bearing retainer
406	O-ring bearing retainer Aut. Vi
407	Hexagon head screw bearing retainer

Aut. Vi

412	Pointed screw auto Vi Slide position
413	Spring dowel auto Vi Slide position
415	Screw for transmitter auto Vi Slide position

Oil filter parts

452	O-ring oil filter
453	O-ring oil filter
455	Locking nut
456	Cylinder screw
459	Magnet
461	Rubber gasket
470	Filter cartridge element
472	O-ring oil filter
474	Cylinder screw
475	O-ring
477	Cylindrical pin
478	Plug with collar
479	Dowty-ring
480	Plug with collar
481	Dowty-ring
482	Cylinder screw oil filter
483	Pointed screw

Flow switch arrangement

506	Dowty ring flow switch
508	Washer flow switch
509	Gasket ring flow switch

Safety valve system

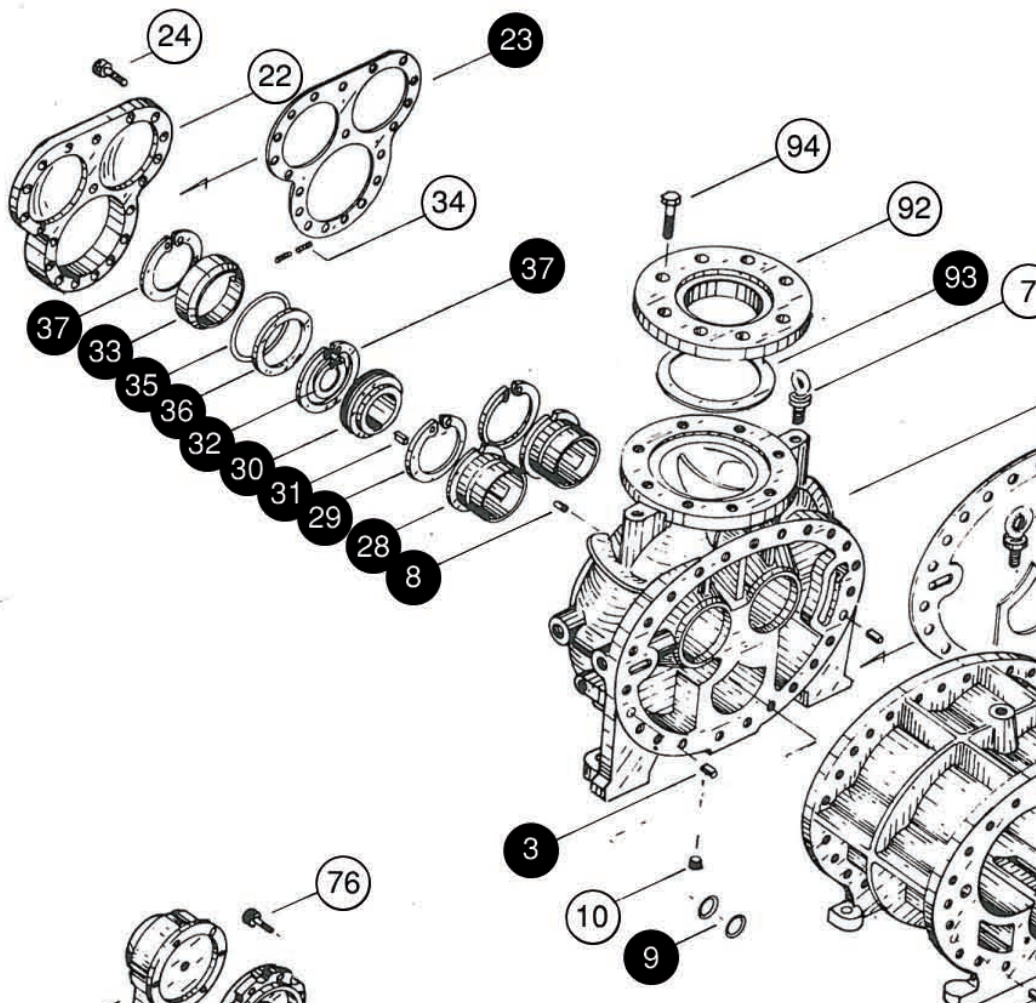
702	Cylinder screw
703	O-ring
716	Cylinder screw
717	O-ring
719	O-ring
721	Cylinder screw relief valve
722	O-ring relief valve
726	Al gasket relief valve
727	Al. ring
732	Al. Ring
733	Dowty-ring
734	Cylinder screw
765	Dowty-ring

Oil separating & filter element

55	Oil separating & filter element
1517-015	Oil filter element
1517-021	Oil filter element
1517-040	Oil filter element
1517-061	Oil coalescer element
1517-062	Oil coalescer element
1517-079	Oil coalescer element
1517-121	Oil filter element
1517-150	Oil filter element

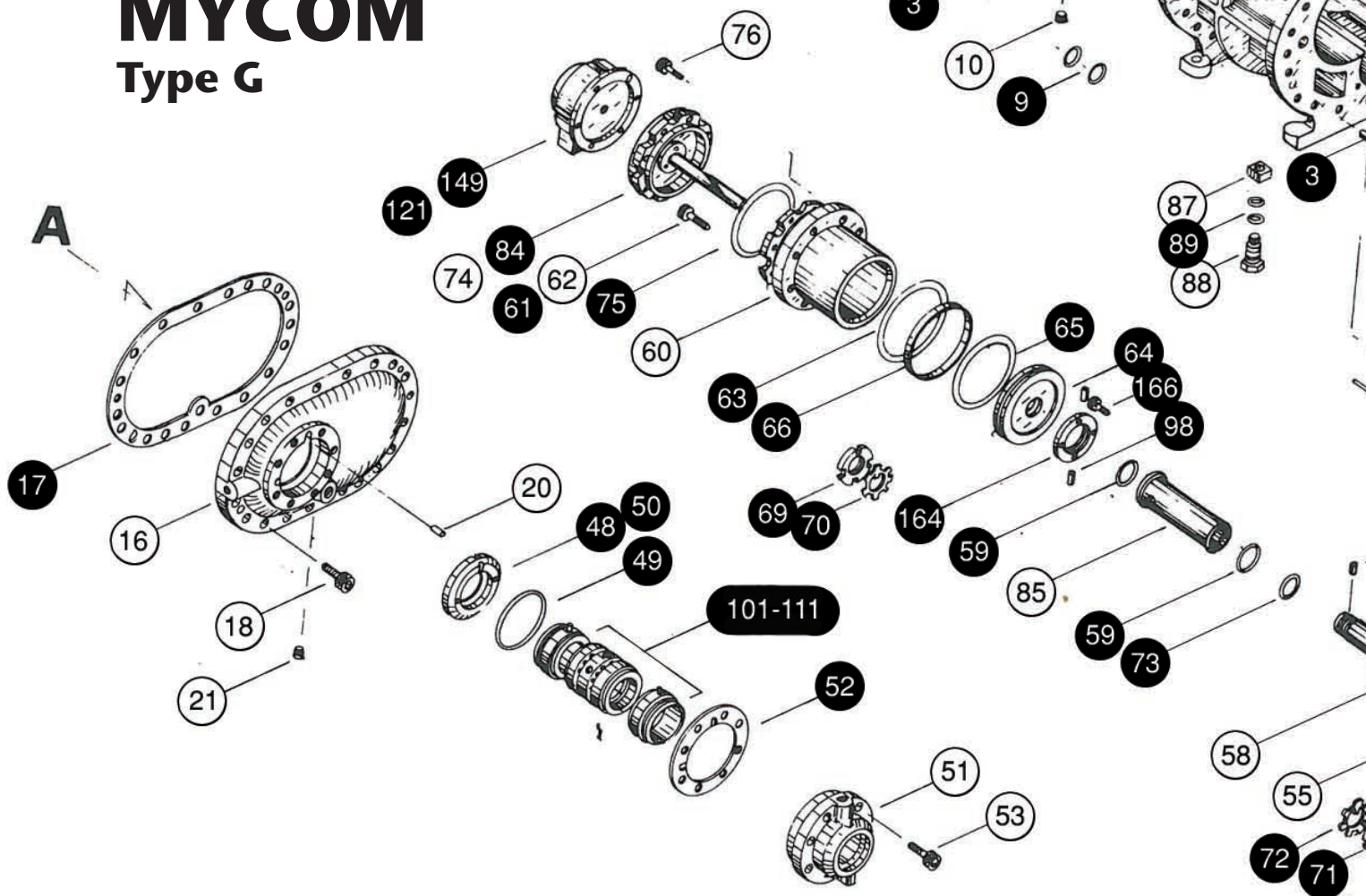
SPARE PARTS MANUAL

1	Main rotor casing	33	Balance piston sleeve
2	Casing retainer allen bolt	34	Grub screw
3	Suction cover & main rotor casing alignment pin	35	"0" ring
4	Hanger bolt for main rotor casing	36	Spacer
5	Suction cover casing	37	Snap ring
6	Suction cover gasket type S+M+LUD	38	Thrust bearing
6V	Suction cover gasket type V	39	Locknut
7	Hanger bolt for suction cover casing	40	Lock washer
8	Side bearing alignment pin	41	Bearing spacer
9	"0" ring	42	Washer
10	Plug	43	Thrust bearing gland
11	Bearing head casing	45	Gland bolt
12	Bearing head gasket type S+M+LUD	46	Lock washer
12V	Bearing head gasket type V	48	Seal gland
13	Hanger bolt for bearing head casing	49	"0" ring
14	Main bearing alignment pin	50	Oil seal
15	Plug	51	Seal cover casing
16	Bearing cover casing	52	Seal cover gasket
17	Bearing cover gasket discharge horizontal type S+M+LUD	53	Seal cover allen bolt
17G	Bearing cover gasket discharge vertical type G	54	Slide valve (1)
17V	Bearing cover gasket discharge horizontal type V	55	Slide valve (2)
18	Cover casing allen bolt	58	"Slide valve segment retaining allen bolt"
19	Bearing head & bearing cover casing alignment pin	59	"0" ring
20	Cover casing alignment pin	60	Unloader cylinder
21	Plug	61	Unloader cylinder allen bolt (1)
22	Blind cover casing	62	Unloader cylinder allen bolt (2-)
23	Blind cover gasket	63	"0" ring
24	Blind cover retaining allen bolt	64	Unloader piston
25	Male rotor	65	"0" ring
26	Female rotor	66	Teflon cap seal
27	Main bearing	67	Unloader push rod
28	Side bearing	68	Guide pin
29	Snap ring	69	Locknut
30	Balance piston	70	Lock washer
31	Balance piston key	71	Lock nut
32	Snap ring	72	Lock washer
		73	"0" ring



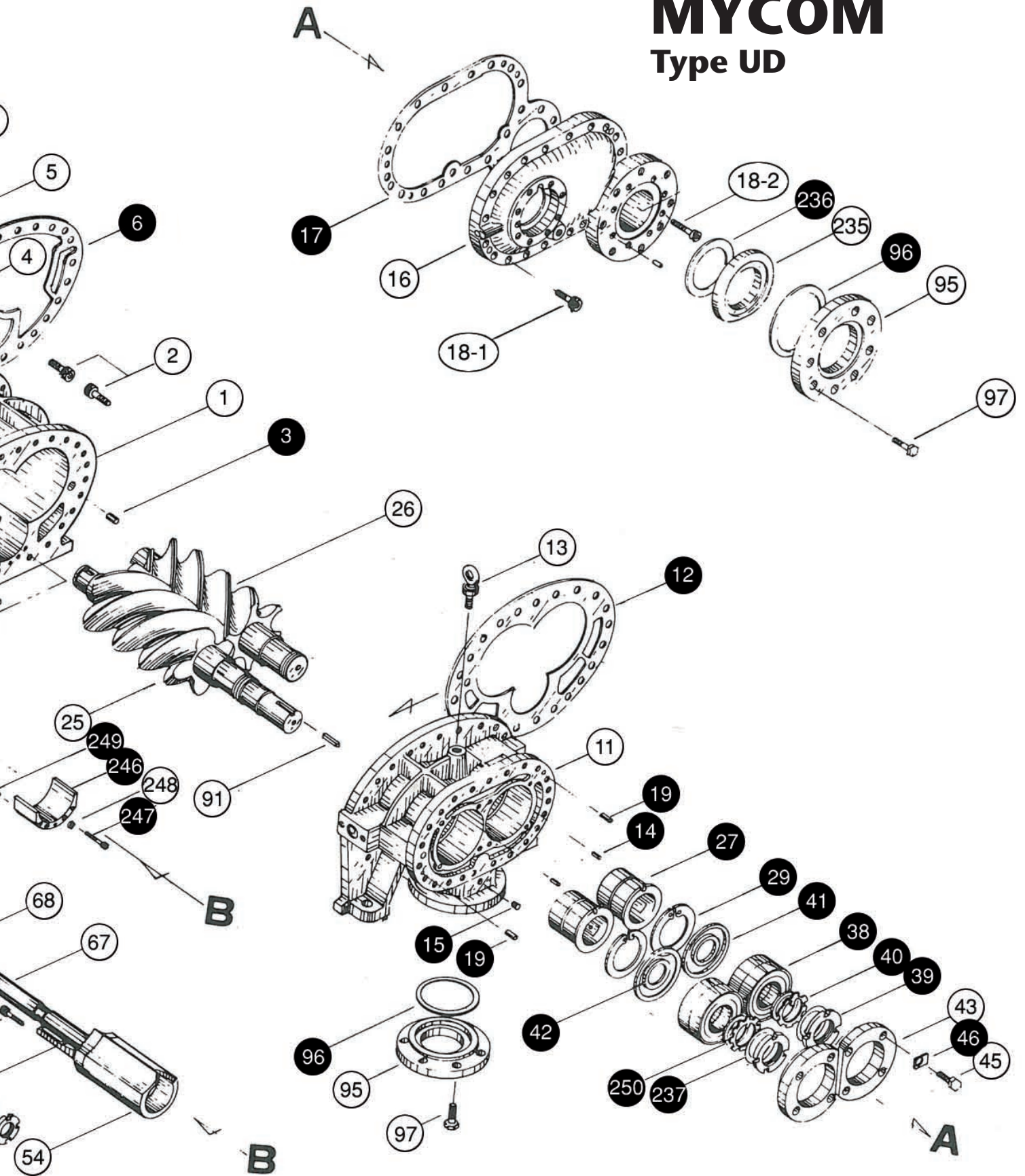
MYCOM

Type G

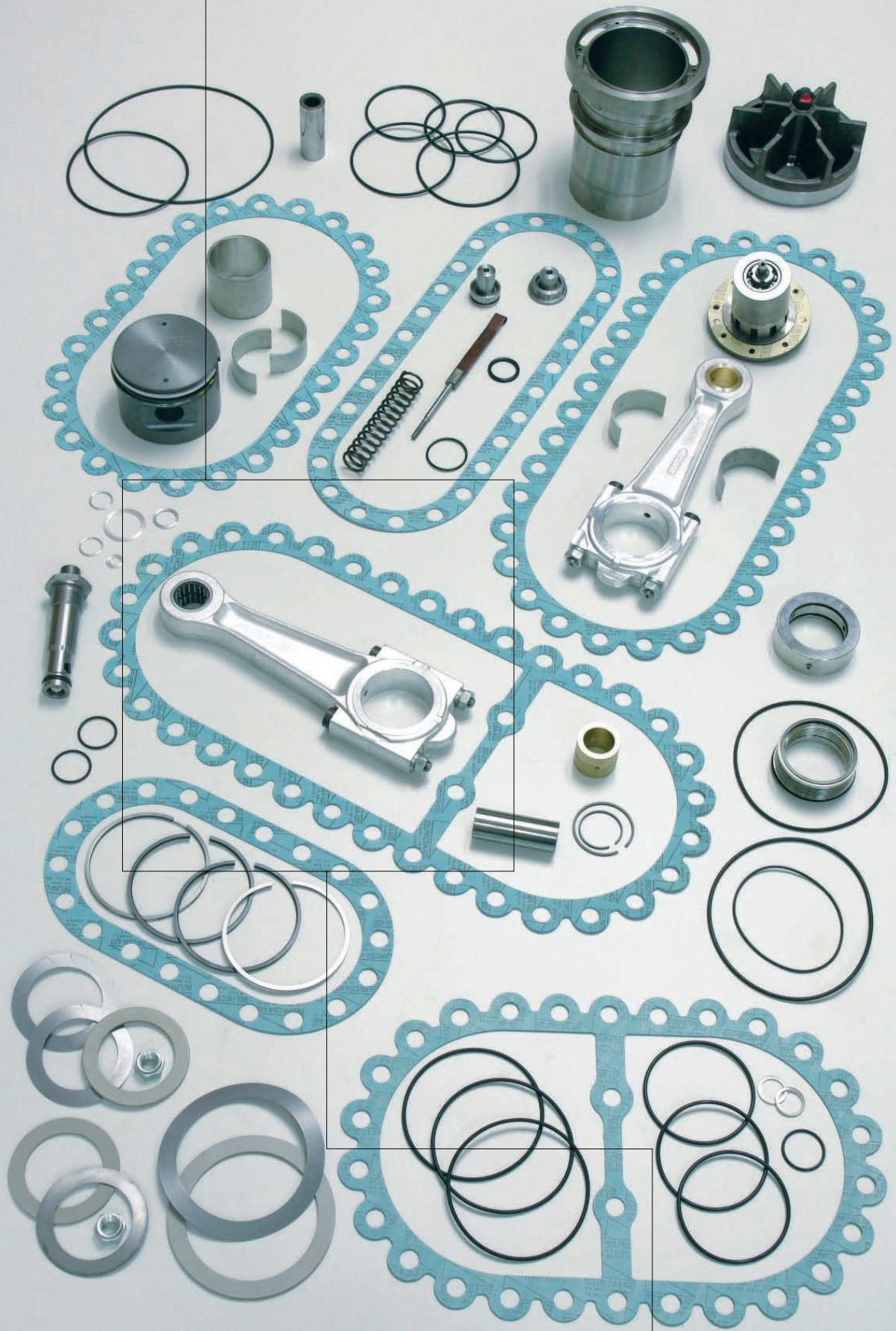


MYCOM

Type UD



PISTON



New arrival!

GRASSO RC-10